

## izzi V.302/402 ERV CONNECT with Wi-Fi module



### Description

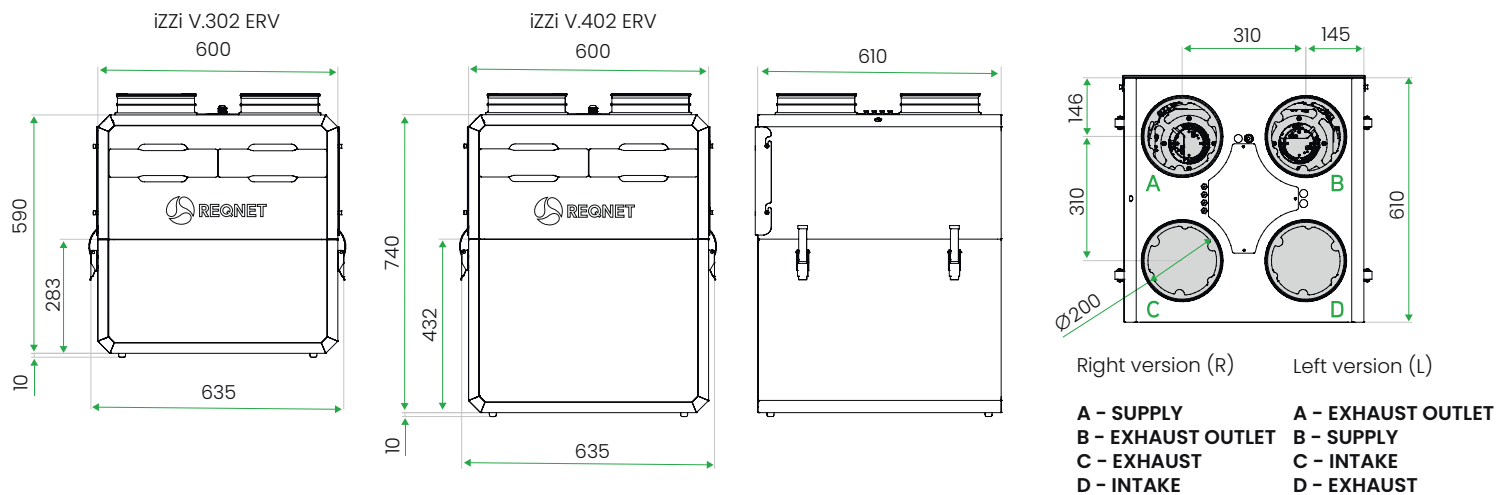
**izzi V.302/402 ERV CONNECT** with Wi-Fi module are **compact units** with an innovative modular design, which consist of two independent and interconnected parts - upper and lower. In the upper part, there are the main elements of the device, i.e. automation, **EC fans**, sensors and filters. In the lower suspended part, there is a durable enthalpy exchanger with a polymer membrane, which allows to recover, in addition to thermal energy, also moisture.

**The compact dimensions and well-thought-out design** of izzi V.302/402 ERV CONNECT allow for easy installation on the wall, in a built-in wardrobe, above a washing machine or refrigerator.

Such an installation can be done by one person on their own. Thanks to the built-in **Wi-Fi module**, which allows you to control the device from anywhere in the house, there are no restrictions on the location of the control panel due to the need for users to access the device on a daily basis.

izzi recuperators can be expanded with **additional control elements** such as a **constant flow module** or a **CO2/hygro measurement module**. The V Series models have **connection spigots** positioned **vertically upwards**, which allows for wall or floor standing mounting.

### Dimensions



### Equipment of the **izzi series** recuperators



EC fans



control panel



constant flow system (option)



built - in CO2 and humidity sensor (option)



extensive automation



automatic by-pass 100%



universal mounting system



antimog box (option)



no condensation

Model	izzi V.302 ERV CONNECT			izzi V.402 ERV CONNECT		
Maximum air flow	300 m <sup>3</sup> /h at 150 Pa			400 m <sup>3</sup> /h at 150 Pa		
Heat recovery efficiency	up to 85%					
Exchanger type	cross-current					
Exchanger variant	Enthalpy (with moisture recovery)					
Exchanger material	plastic + polymer membrane					
Moisture recovery efficiency	up to 65%					
Maximum fan power	165 W			210 W		
Gears	I gear - 30% (90 m <sup>3</sup> /h at 50 Pa)	II gear - 60% (180 m <sup>3</sup> /h at 150 Pa)	III gear - 100% (300 m <sup>3</sup> /h at 50 Pa)	I gear - 30% (100 m <sup>3</sup> /h at 100 Pa)	II gear - 60% (250 m <sup>3</sup> /h at 100 Pa)	III gear - 100% (400 m <sup>3</sup> /h at 150 Pa)
Energy consumption	20 W	59 W	164 W	20 W	73 W	205 W
The sound power level emitted by the casing at a distance of 1 meter	dB(A)	35 dB(A)	43 dB(A)	28 dB(A)	38 dB(A)	48 dB(A)
Sound power level - nominal value	38 dB(A)			41 dB(A)		
Fans	radial Radical with DC EC motors					
Energy efficiency class	A*					
Bypass	automatic, isolated, 100% supply air bypass					
Anti-freeze system	vacuum, operating only below the temperature of -7°C					
Controller	via mobile app (Android 8.0 or later), a web browser					
Connecting the controller to the device	V.302/V.402 pleated class ePM10 ≥ 50%**/ M5***					
Filters	4 x Ø200 mm					
Diameter of connection spigots	not equipped					
Condensate drain	IP 40					
Protection rating	I					
Insulation class of the device	+/- 2°C					
Supply voltage	230V (AC), 50Hz					
Weight (with dedicated rack)	26 kg			36 kg		
Dimensions (H x W x D)	336 x 889 x 630 mm			750 x 635 x 610 mm		

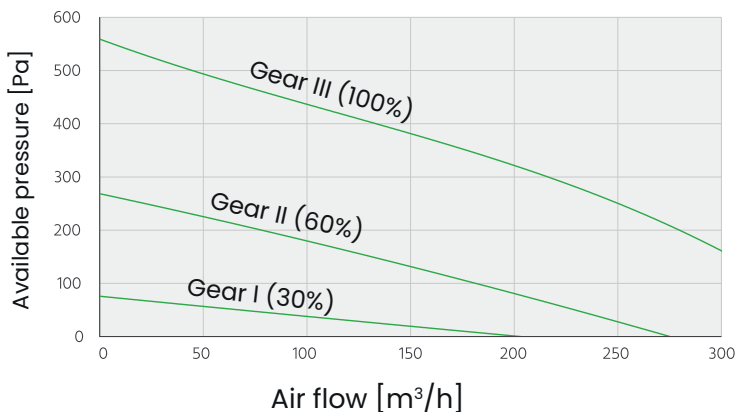
\* for a temperate climate in accordance with Directive 2009/125/EC and European Commission Regulation No. 1254/2014

\*\* according to EN779

\*\*\* according to ISO 16890

## Flow characteristics

izzi V.302 ERV



izzi V.402 ERV

