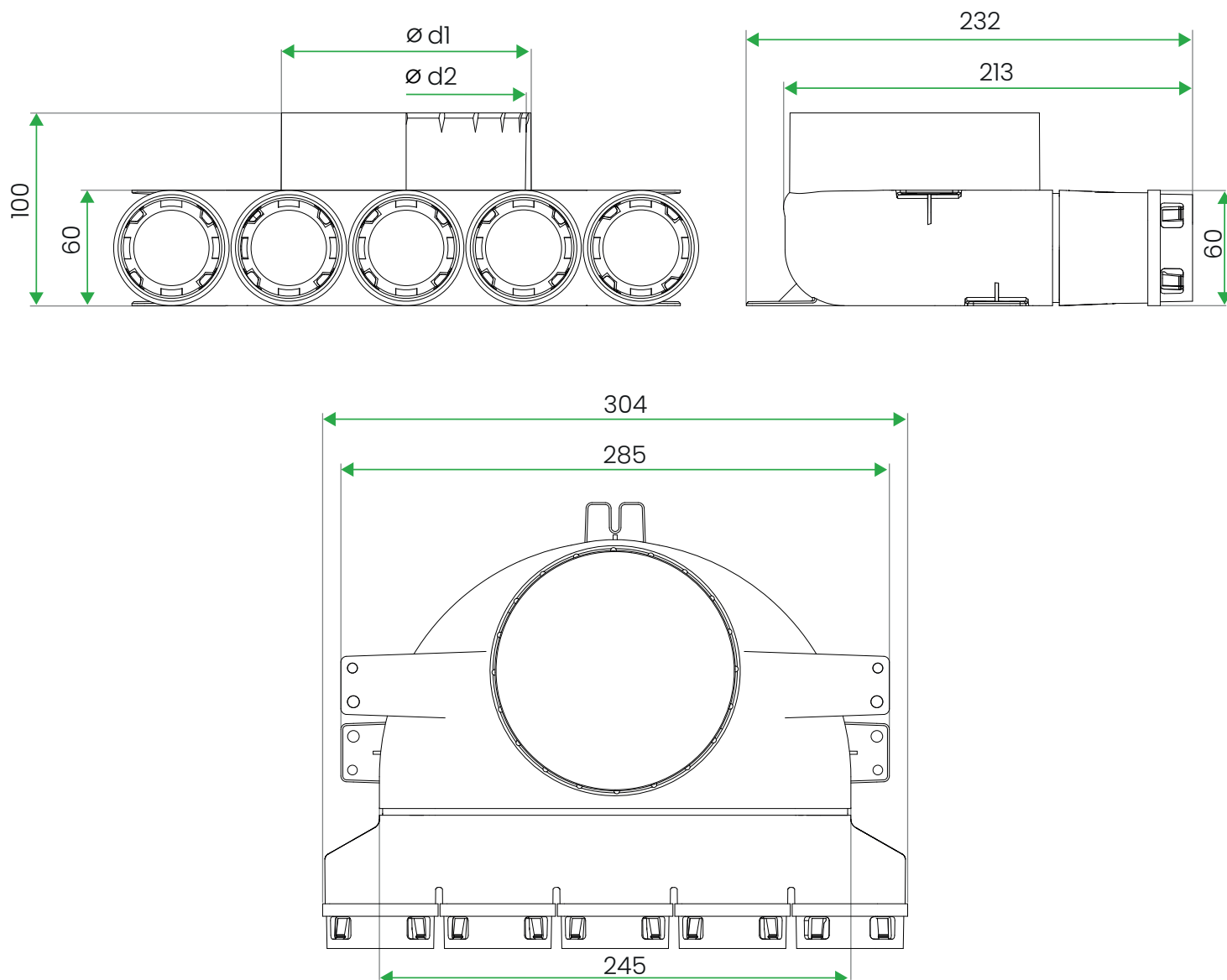


## PEFLEX 5x50 PP Plastic Plenum Box

For ventilation ducts Ø50 mm



### Dimensions



Dimension	Nipple	Socket
d1	123	130
d2	118	125

## DESCRIPTION

**The PEFLEX PP angular plenum boxes** are used to connect supply and exhaust air diffusers with PEFLEX system ventilation ducts. Their design stabilizes airflow by reducing its speed and minimizing noise and resistance.

Made from durable polypropylene with elasticity-enhancing additives, these boxes are distinguished by high durability, tightness, and resistance to damage, thanks to thick walls and the use of welding technology.

The 5x50 version allows for connection to two PEFLEX ducts with an external diameter of Ø50 mm and a maximum airflow of up to 60 m<sup>3</sup>/h. Unused couplers can be sealed with a plug.

**PEFLEX PP boxes** are available in two versions of spigots:

- **Socket Ø125 mm** – for direct connection of the air diffuser.
- **Nipple Ø123 mm** – for the installation of an extension Ø125 mm duct.

The boxes are equipped with **the CLICK system and built-in gaskets**, ensuring quick and airtight installation of ventilation ducts without the need for additional sealing components. They are designed for use in ventilation systems with limited installation space, such as thin floors with a small layer of polystyrene. The compact height of the entire box (60 mm) **allows for installation in thin floor layers** without the need to increase the insulation thickness.