

Wall-mounted recuperator

r-Wall50

Decentralised recuperation unit with a CO₂ sensor with a capacity of 50 m³/h



Description

The r-Wall50 decentralised ventilation units, thanks to their small dimensions and low installation requirements, will work well in both single-family buildings and small apartments. R-Wall50 recuperators are mounted directly in ventilated rooms on the external walls of the building. Their installation does not require additional technical space or a specially designated room. The principle of operation of decentralised recuperators is the same as that of standard air handling units with heat recovery. The primary difference is the variable operating mode. The unit operates in two modes: ventilation mode – supply or exhaust mode with a set speed, and regeneration mode – two cycles of 75 seconds each ensuring heat and moisture regeneration.

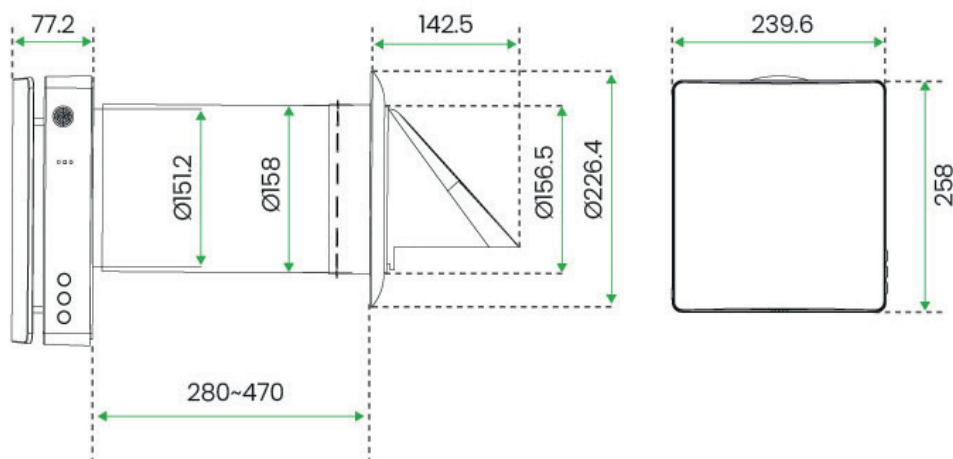
The r-Wall50 units can be connected to each other via Wi-Fi, enabling synchronized operation where one unit works in the supply mode while the other operates in the exhaust mode.

The r-Wall50 decentralised recuperators are one of the few on the Polish market to be equipped with a CO₂ sensor, which is responsible for maintaining optimal air parameters in the building for users.

Features of the decentralised recuperator:

- quiet operation
- recovery of up to 97% of thermal energy
- easy installation
- Simple app control on your phone
- no ducts required
- can be installed in any room
- the ability to synchronize several units
- installation through a wall with a single hole of 170 mm
- free cooling

Dimensions



Description	Unit	Value
Voltage	V	100-240
Frequency	Hz	50/60
Output power	W	6/7/7.8
Power supply	A	1000/1550/1800
RPM	-	0.04/0.05/0.06
RPM (max)	-	2200
Airflow (L/M/H) in supply/exhaust mode (with F7 filter)*	m3/h	20/40/50
Airflow (L/M/H) in regenerator mode (with filter F7)*	m3/h	10/20/25
Maximum Airflow (in Fan Boost Mode)	m3/h	60
Sound pressure level	dB(A)	32.7
Heat recovery efficiency	%	do 97
Water resistance class	-	IPX4
Air duct diameter	mm	158
SEC	-	Klasa A
Mounting type	-	Wall mounting
Net weight	kg	4.2

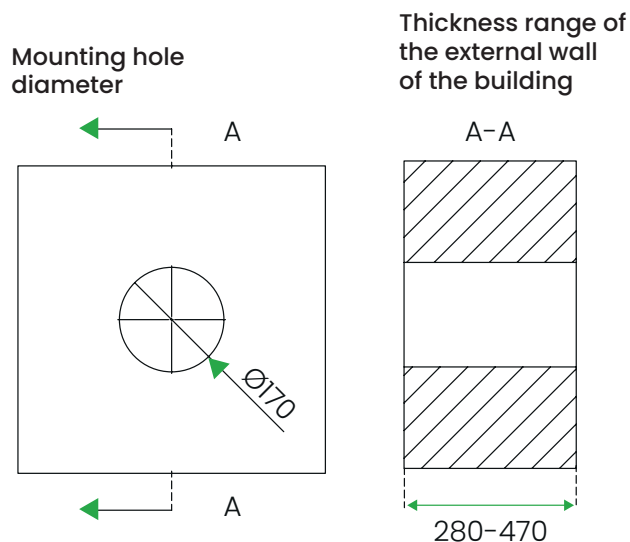
* Maximum airflow (in fan boost mode).

* Note: The airflow of supply/exhaust mode without F7 filter is about 34/56/70C MH or 20/33/41.2CFM, and the relevant parameters will be adjusted accordingly.

Installation

Installation requirements:

- Thickness of the external wall of the building: from 280 to 470 mm
- No elements covering the installation site outside (trees, terrace structures, garden furniture, etc.) and inside the building (curtains, curtains, blinds, furniture)
- Possibility of drilling in an external wall with a diameter of 170mm.
- When synchronizing several devices, the maximum installation - linear distance of the uninterrupted communication signal between the units should be no more than 15 m in a straight line. The signal between the units can pass through a brick wall up to 180 mm thick.
- The master unit must be mounted so that it can be controlled by the remote control facing directly towards the unit.



The suggested maximum distance between devices is 15 meters

